

CarbonWeb® VMP-CP15

CarbonWeb® VMP-CP15 v-bank mini-pleat HEGA (High Efficiency Gas Adsorber) is an exceptionally high-quality HVAC air filter designed to provide high efficiency MERV 15 particulate filtration combined with 500 gsm of High Activity Carbon to remove a wide spectrum of odors and VOCs.

VMP-CP15 provides high levels of indoor air quality controlling fine airborne particulate contaminants and lower concentrations of most internal and external odor producing molecular contaminants. The compact dual media design allows easy installation in most HVAC applications.

The extended surface area design allows very low resistance to air-flow, providing reduced energy costs and an extended life cycle. Fine 20x50 mesh high activity carbon creates maximum surface area for high first pass removal efficiencies on gasses.



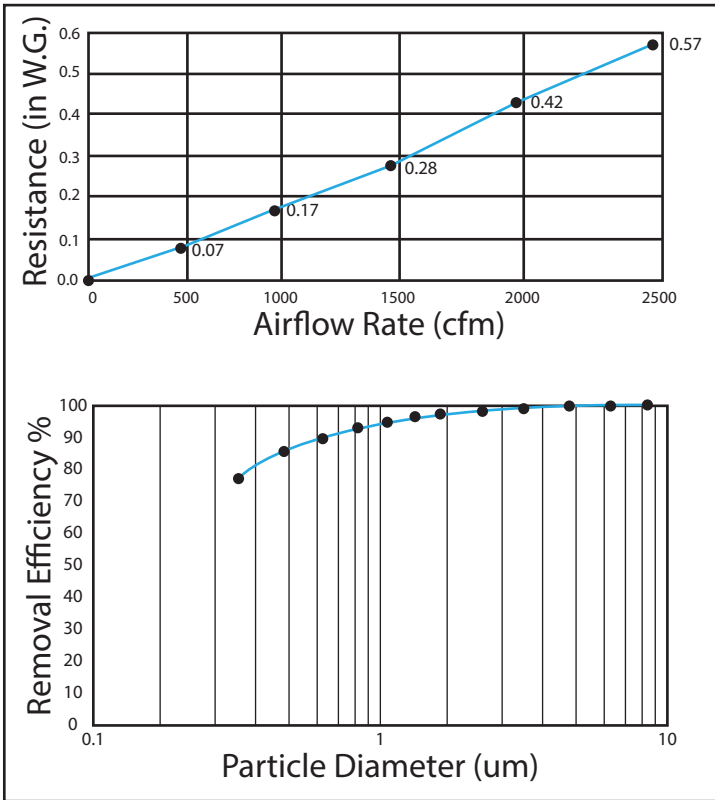
CarbonWeb VMP-CP15 Provides MERV 15 Particle Efficiency and 500 gsm High Activity Carbon for applications Including:

- Greenhouse
- Airport Fumes
- Vehicle Exhaust
- Industrial Plants
- Forest Fires
- Universities
- Office Space
- Paint Facilities
- Hospitals
- Hotels
- Sports Facilities
- Agricultural

Model	Nominal Size	High Activity Carbon	Weight Each	Initial Resistance WC	Initial MERV	Final Resistance WG
CarbonWeb VMP CP15				500 FPM		
VMPCP-12-100-01	12x24x12	500 gsm	7.5 LBS	0.42"	15	1.5"
VMPCP-12-100-06	20x24x12	500 gsm	10.0 LBS	0.42"	15	1.5"
VMPCP-12-100-08	24x24x12	500 gsm	11.5 LBS	0.42"	15	1.5"

CarbonWeb® VMP-CP15

Performance Data



Specifications

Media: Dual layer combination of MERV 15 synthetic particulate layer and 500 gsm 20x50 mesh HAC laminated together to create a high efficiency gas phase media.

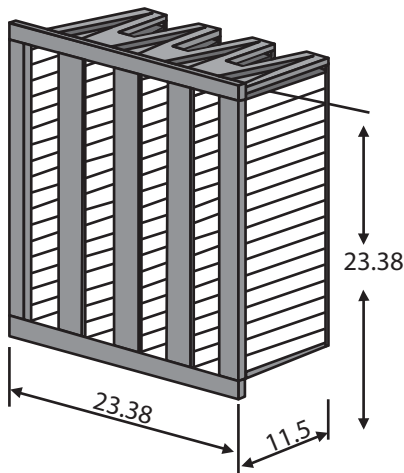
Frame: Double walled high strength plastic v-design frame for industrial applications with minimum resistance to air flow.

Sealant: Media pack shall be bonded to frame utilizing moisture resistant adhesive for continuous seal.

Gasketing: Optional premium closed cell neoprene gasketing available.

Maximum Operating Temp: 140F.

Incinerable: Yes



Industrial Grade Plastic Frame with Double Wall Construction



Engineered Design Maximizes Air-Flow and Service Life



Precision Pleating for Optimum Surface Area



Airport



Diesel Exhaust



Hospital



Greenhouse



Industrial



Office



Sewer Gas



Sports Arena

D - Mark
130 N. Groesbeck Hwy.
Mt. Clements, MI 48043
www.dmarkinc.com

RENSA FILTRATION

800-343-3610
586-949-3610
F 586-949-4181
dmark@dmarkinc.com